



**IEC PERFORMANCE DATA SHEET**  
IEC Efficiency Level IE1

Catalog #: IJA633-4-24

HP	kW	Voltage	L.R. Amps	Efficiency	Power Factor	Service Factor	Frame	Design
0,33	0,25	230 / 460	3,22	68,0%	0,74	1,15	63	N

60 Hz								
FLA							Is/In	F.L. RPM
208	230	333	460	575	796	990		
/	1,25	/	0,62	/	/	/	5,2	1595

50 Hz								
FLA						Efficiency	Is/In	F.L. RPM
190	380	400	415	660	725			
1,67	0,83	0,79	0,76	/	/	61,5%	5,2	1330

Wgt. Lbs	PH	Duty	Insul. Class	Ambient Temp.	Elevation	Temp. Rise° C
11	3	S1	H	40°C	1000 M	30

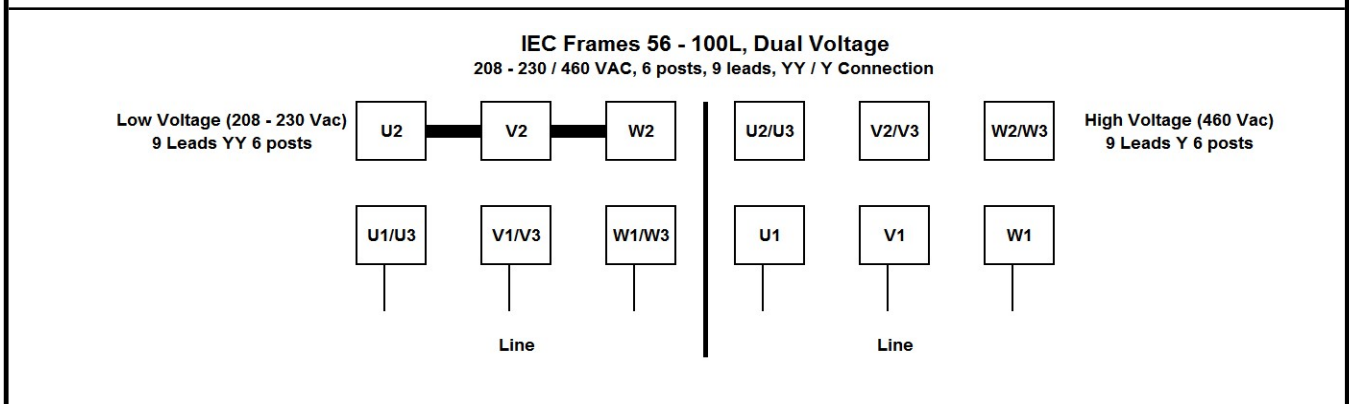
% Efficiency		% Power Factor		Torque			Protector Type	Winding Resist. Ω
Full Load:	68,0%	Full Load:	0,74	FLT ft.lbs	60Hz	50Hz		
3/4 Load:	65,3%	3/4 Load:	0,63	LRT %	220	220	-	-
1/2 Load:	59,2%	1/2 Load:	0,48	BDT %	230	230	-	-

Rotor Inertia Wk2 Lb-Ft2	Max Load Inertia Wk2 Lb-Ft2	Shaft Material	Frame Material	DE Bracket Type	ODE Bracket Type	Mounting	Enclosure	Protection
-	-	Standard	Aluminum	Standard	Standard	B3	TEFC	IP55

Ball Bearings		Grease	Mount Type	Orientation	Cold Start (Secs)	Paint
DE	ODE					
6201ZZ-C3	6201ZZ-C3	Sealed Bearings	Rigid	Horizontal	15	Red

Inverter Duty. Motor meets MG1 parts 31.4.4.2	Constant Torque Range	Variable Torque Range
	10:1	20:1

WIRING CONNECTION DIAGRAM : **B**





Date: **25 janvier, 2024**  
 Customer: \_\_\_\_\_  
 Contact: \_\_\_\_\_  
 Submittee: **J.C. Lavallée**

Catalogue #: **IJA633-4-24**

IEC Efficiency Level IE1											
HP	Kw	VAC	RPM	Enclosure	Frame	Frequency	Design	Poles	LR Is/In	Insulation Class	Temp. Rise °C
0,33	0,25	230 / 460	1595	TEFC	63	60	N	4	5,2	H	30

Load %	0%	25%	50%	75%	100%	125%	150%
Amps	0,50	0,50	0,55	0,57	0,62	0,72	0,91
Torq ft/lbs	0	0,25	0,52	0,80	1,10	1,43	1,84
RPM	0	1749	1698	1646	1595	1530	1429
Eff %	0	44,3	59,2	65,3	68,0	66,2	60,9
PF %	0	33,8	48,0	62,5	74,0	76,2	77,7

	Locked Rotor	Pull-Up	Breakdown	Rated Load	Idle	Duty	S. F.	Ambient	Elevation	dBA @ 1M
Speed (RPM)	0	810	1350	1595	1800	S1	1,15	40°C	3,300 ft	-
Current (Amps)	3,22	2,58	1,81	0,62	0,50	<b>VFD Rating: Meets MG1 parts 31.4.4.2</b>				
Torque (ft-lbs)	2,41	2,05	2,52	1,10	0,0	CT :	10:1	VT :	20:1	

